

SEWOO

Aroot Co., Ltd.

28-6, Gajangsaneopdong-ro, Osan-si, Gyeonggi-do, 18103, Republic of Korea
TEL +82-31-8077-5000 / FAX +82-31-624-5310 / <http://www.miniprinter.com>

sewoo



MODEL : LK-P400

MOBILE PRINTER(Wi-Fi & Bluetooth)

All specifications are subject to change without notice

Information to User;

Caution:

the user that changes or modifications not expressly approved by the Aroot Co., Ltd. responsible for compliance could void the user's authority to operate the equipment.

NOTE:

This equipment has been tested and found to comply with the limits for a Class B digital device, pursuant to part 15 of the FCC Rules. These limits are designed to provide reasonable protection against harmful interference in a residential installation. This equipment generates, uses and can radiate radio frequency energy and, if not installed and used in accordance with the instructions, may cause harmful interference to radio communications. However, there is no guarantee that interference will not occur in a particular installation.

If this equipment does cause harmful interference to radio or television reception, which can be determined by turning the equipment off and on, the user is encouraged to try to correct the interference by one or more of the following measures:

- Reorient or relocate the receiving antenna.
- Increase the separation between the equipment and receiver.
- Connect the equipment into an outlet on a circuit different from that to which the receiver is connected.
- Consult the dealer or an experienced radio/TV technician for help.

Responsible Party;

The responsible party for Supplier's Declaration of Conformity must be located within the United States, so you have to include following information in manual.

Company name : Aroot Co., Ltd. (Manager : Vic Barczyk)

Address : 19700 S. Vermont Ave. STE 200, Torrance, CA 90502 | USA

TEL / FAX No : (TEL) +310-561-8030 / (FAX) +82-31-459-8880

Homepage : <http://www.miniprinter.com>

Use of the Made for Apple badge means that an accessory has been designed to connect specifically to the Apple product(s) identified in the badge, and has been certified by the developer to meet Apple performance standards.

Apple is not responsible for the operation of this device or its compliance with safety and regulatory standards.

**This device complies with part 15 of the FCC Rules.
Operation is subject to the following two conditions.**

- 1) This device may not cause harmful interference, and
- 2) This device must accept any interference received, including interference that may cause undesired operation.

The operation of this equipment is subject to the following two conditions: (1) this equipment or device may not cause harmful interference and (2) this equipment or device must accept any interference, including that which may cause its unwanted operation.



**Risk of explosion if battery is replaced by an incorrectly type.
Dispose of used battery according to the local disposal instructions.**

- replacement of a battery with an incorrect type that can defeat a safeguard (for example, in the case of same lithium battery types)
- disposal of a battery into fire or a hot oven, or mechanically crushing or cutting of a battery, that can result in an explosion;
- leaving a battery in an extremely high temperature surrounding environment that can result in an explosion or the leakage of flammable liquid or gas; and
- a battery subjected to extremely low air pressure that may result in an explosion or the leakage of flammable liquid or gas.



**Risque d'explosion si la batterie est remplacée par un type incorrect.
Jetez la batterie usée selon les instructions locales.**

- remplacement d'une batterie par un type incorrect qui peut faire échouer une sauvegarde (par exemple, dans le cas des mêmes types de batteries au lithium)
- la mise au rebut d'une batterie dans un feu ou un four chaud, ou l'écrasement ou la coupure mécanique d'une batterie, qui peut provoquer une explosion;
- laisser une batterie dans un environnement environnant à température extrêmement élevée pouvant entraîner une explosion ou une fuite de liquide ou de gaz inflammable; et
- une batterie soumise à une pression d'air extrêmement basse qui peut provoquer une explosion ou une fuite de liquide ou de gaz inflammable.



Disposal of Old Electrical & Electronic Equipment (Applicable in the European Union and other European countries with separate collection systems)

This symbol on the product or on its packaging indicates that this product shall not be treated as household waste. Instead it shall be handed over to the applicable collection point for the recycling of electrical and electronics equipment. For more detailed information about recycling of this product, please contact your local city office, your household waste disposal service or the shop where you purchased the product.

Safety Precautions

For better safety and reliability, adhere to the following precautionary measures.

Read and follow the instructions carefully before operation of the product.

Indication



Prohibition



Must follow



Do not disassemble



Unplug the power from the outlet



Grounding to prevent electric shock



Do not handle the product with wet hands



WARNING

Failure to follow these instructions could result in fire, electric shock, other injuries, or property damage.



Do not pull or touch the power plug with wet hands.

Potential risk of electric shock or fire



Do not bend the wire and do not allow the wire to be pinched or crushed by heavy objects.

Potential risk of electric shock or fire



Do not overload an electrical outlet.

Potential risk of electric shock or fire



If a power plug is broken or a plug is cut or worn, do not use it.

Potential risk of electric shock or fire





WARNING

Failure to follow these instructions could result in fire, electric shock, other injuries, or property damage.



Do not unplug the power cable to turn off the product.

Turn off the power using the power button



Do not disassemble, repair or modify the product.

Potential risk of malfunction, electric shock, or fire. When the product needs to be repaired, please contact your reseller



CAUTION

Failure to follow these instructions could result in fire, electric shock, other injuries, or property damage.



Do not install the product on an unstable or inclined surface.

May cause damage or injury



If the product needs to be repaired, please contact your reseller.

Potential risk of fire or unit malfunction



Keep product away from the water and other material.

Potential risk of fire or unit malfunction



Avoid excessive shock or drops.

Potential risk of fire or property damage



Table of Contents

Product Overview

1. Unpacking	2
2. Product overview	3
3. Control Panel Usage	4

Set Up

4. Paper Installation	5
5. Battery	6
5-1. Battery Installation	6
5-2. Battery Removal	7
5-3. Battery Charging	8
5-4. Charging Cradle(optionl)	9
6. Belt Strap	10
7. Self Test	11

Peripheral Connection

8. Peripheral Connection	13
8-1. Bluetooth Connection	13
8-2. Wi-Fi Connection	13
8-3. NFC Connection	14
8-4. Interface Cable Connection	15

Maintenance

9. Cleaning the Printer 16

9-1. Print-Head Cleaning 16

9-2. Platen Roller Cleaning 17

10. JAM Error 18

Specification

11. Black Mark 19

12. Gap 20

13. Printer Specification 21

14. Utilities 23

15. S/W 24

1. Unpacking

Standard



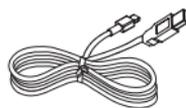
Printer



Battery



Charger



USB Cable



Quick Manual



Roll Paper



Belt Strap



Cleaning Pen

Optional



Large Battery



Charging Cradle



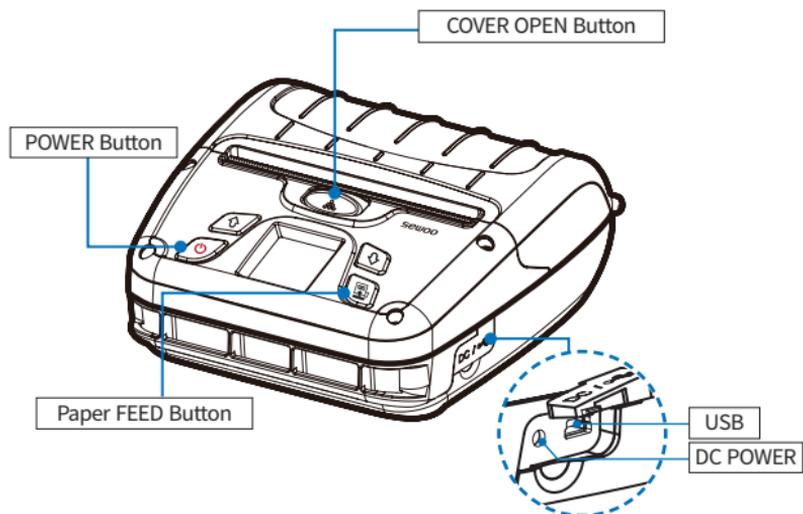
Car Charger



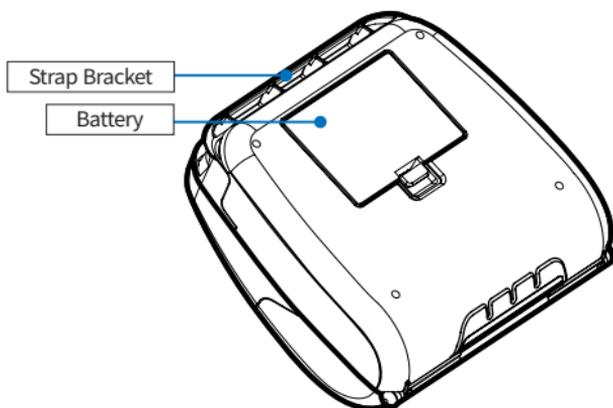
Shoulder Strap

2. Product overview

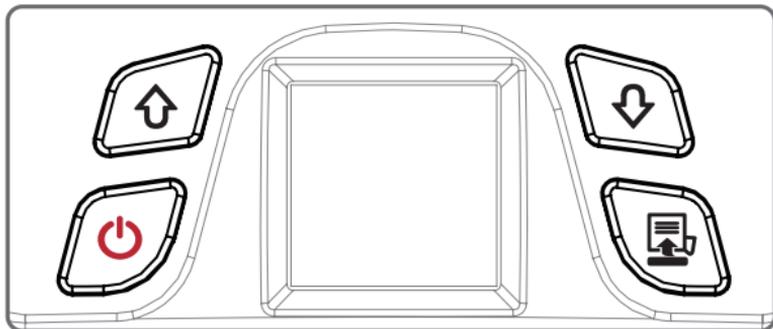
Front



Rear



3. Control Panel Usage



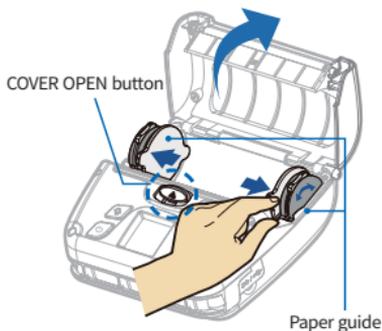
Button	Name	Function
	Power Button	<ul style="list-style-type: none">- This button is used to turn the printer on and off.- When the printer is off, press this button for approximately 3 seconds and the printer will power on.- When you press this button while the printer is powered on, the printer will turn off.
	Up Button	<ul style="list-style-type: none">- Selects the highlighted menu option.
	Menu Enter Button	<ul style="list-style-type: none">- Moves up through menu options.
	Paper Feed Button	<ul style="list-style-type: none">- This button can be used to manually feed the paper.- Additionally, this button is also used to initiate self-tests and Hexadecimal Dumping.<ul style="list-style-type: none">※ Refer to 11- Use ENTER to enter the menu.

4. Paper Installation

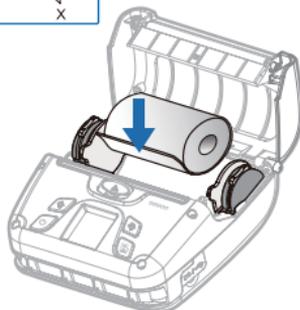
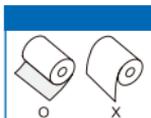


CAUTION

Make sure to be careful of the HOT head



Press the COVER OPEN button up to open the Paper cover. You can set the width of paper guide by turning the knob with your finger.

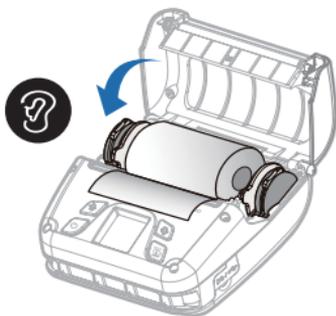


Place the paper roll as shown. Make sure the paper is placed in the right direction.



CAUTION

Please make sure you hear the closing sound of the upper cover.



Pull a short length of paper out of the printer and close the cover.

1 2
3 4



CAUTION

If the cover is not shut down completely, the printer may not work properly.



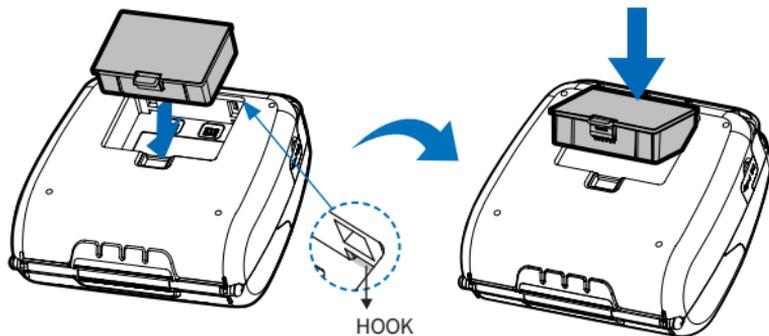
Please tear the paper down.

5. Battery

5-1. Battery Installation



Please make sure you hear the closing sound of the upper cover.

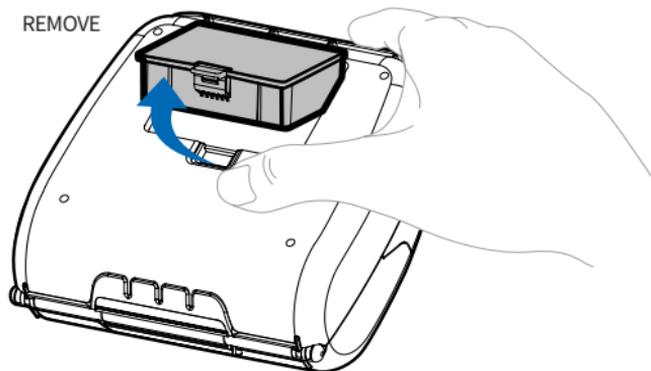


- 1 Align battery hook as shown in the picture.
- 2 Push the battery into the printer until it locks in place.

✓ NOTE

As the battery is not charged at the time of your purchase, charge the battery prior to using the printer.

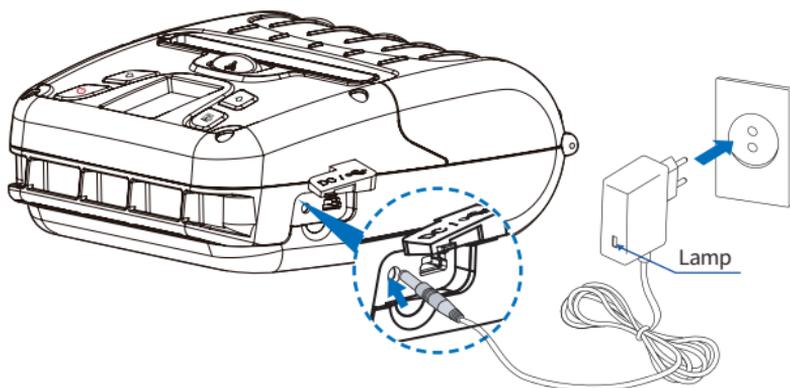
5-2. Battery Removal



Remove the battery as shown.

- 1 Press up on the battery handle and lift it up.
- 2 Remove the battery.

5-3. Battery Charging

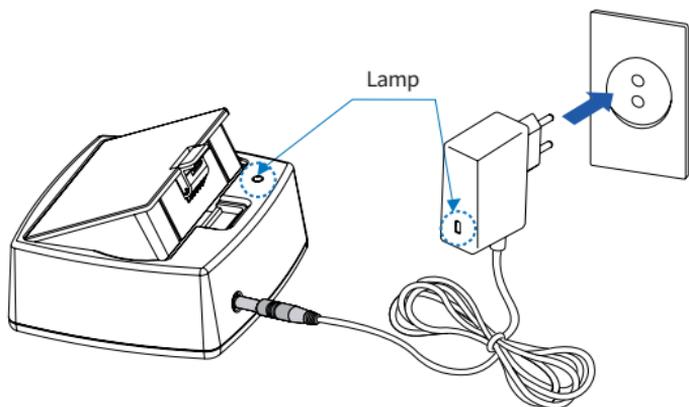


- 1 Make sure the printer is turned off.
- 2 After opening the DC JACK cover, connect the DC JACK to the printer.
- 3 Plug the power cord into the electrical outlet.

✓ NOTE

- 01 If the charger provided by the manufacturer is not used, the printer can be damaged, and the manufacturer is not liable for the consequential damage.
- 02 Before removing the battery, make sure that power is turned off.
- 03 The printer does not work when only connected to the charger.
- 04 While charging, do not turn on the power.
- 05 Do not operate the printer while charging the battery.

5-4. Charging Cradle Optional



- 1 Insert the battery into the battery charger as shown above.
- 2 Connect the DC JACK to the electrical outlet.
- 3 Plug the power cord into the electrical outlet.
- 4 Once the charging is completed, remove the battery from the charger.

The charging status LED

Status	charging	charging complete
Charging Lamp	Red	Green

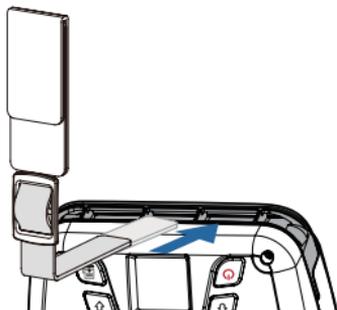
✓ NOTE

In the case the battery is not inserted properly, the red LED will blink.
Remove and reinsert the battery.

6. Belt Strap



Prepare the belt strap.

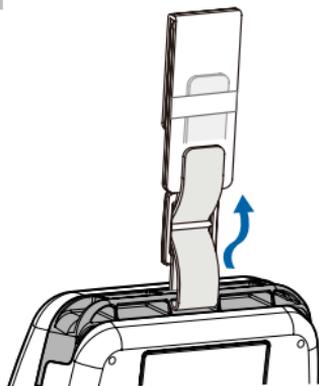


Put the strap into the strap bracket hole as shown.

1 2
3 4

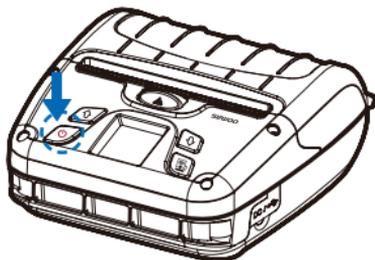


Turn the strap and printer over and put the strap into the hook as shown.

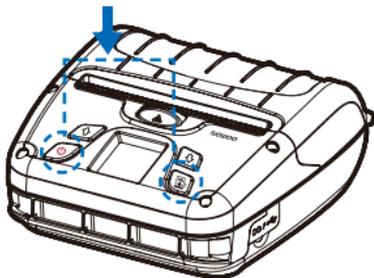


Adjust the strap length for the user's convenience.

7. Self Test

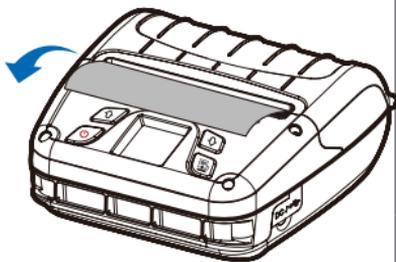


Turn off the power by pressing the power button for approximately 3 seconds.



While you are holding the FEED button, press the power button.

1 2
3

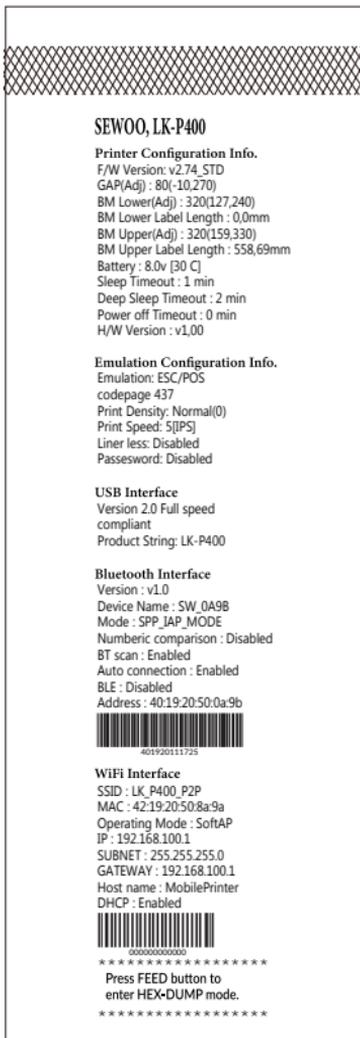


The self-test will print.

✓ NOTE

- 01 To enter hex dump mode, press the FEED button once more.
- 02 If the FEED button is not pressed, the self-test will automatically finish after 3 seconds.

Self-Test Printout Sample



Upon initial installation or for troubleshooting, you can run the diagnostic test to get information about:

- Firmware version, emulation, codepage, sensor settings, interface settings, etc.

If no issues are found with the diagnostic test, examine other devices and software.

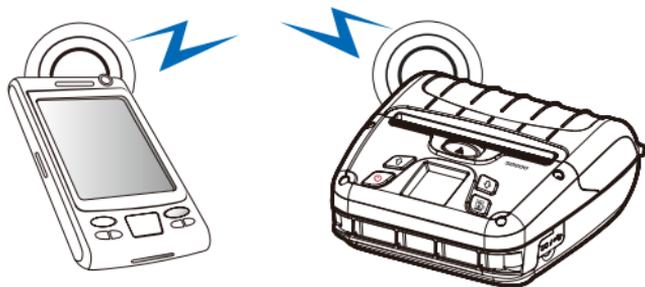
The diagnostic test is working independently of devices and software.

※ Motor protection from being overheated

To prevent the motor from overheating, stop the printer for at least 30 seconds after continuously printing 1.5 meters.

8. Peripheral Connection

This product can communicate with other devices via Bluetooth, Wi-Fi, or a communication cable.



8-1. Bluetooth Connection

- 1 The Printer can be connected to devices equipped with Bluetooth communication capabilities (PDAs, PCs, etc.).
- 2 Use the Bluetooth connection function supported by your device to connect to the printer.

✓ NOTE

- This model supports NUMERIC COMPARISON function.
- Please refer to the configuration manual for details.

8-2. Wi-Fi Connection

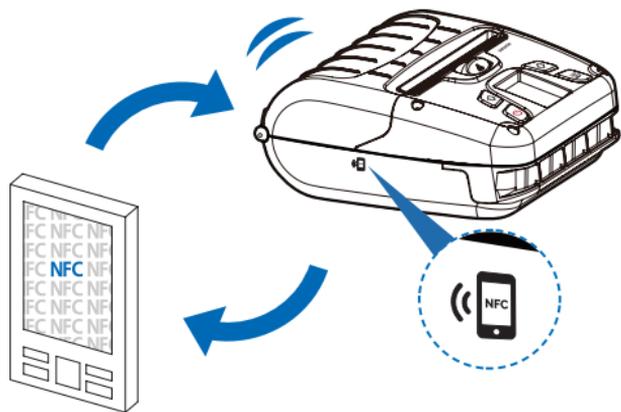
- 1 The Printer can be connected to devices equipped with Wi-Fi communication capabilities (PDAs, PCs, etc.).
- 2 Use the Wi-Fi connection function supported by the device to connect to the printer.

✓ NOTE

- Please refer to the CONFIGURATION MANUAL for details.

8-3. NFC Connection

The printer can be connected to devices equipped with NFC communication capabilities.

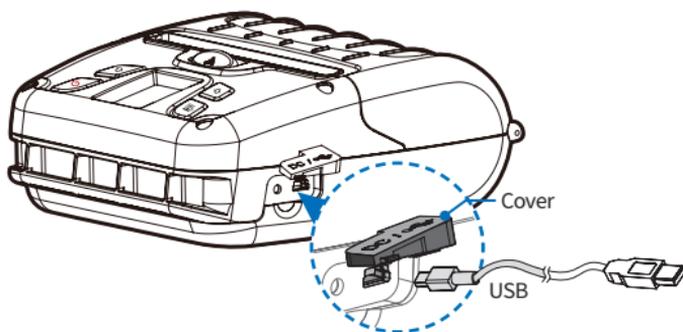


Use the NFC connection function supported by the device to connect to the printer.

✓ NOTE

- Please refer to the CONFIGURATION MANUAL for details.
- NFC is only compatible with Bluetooth.

8-4. Interface Cable Connection



- 1 Flip over the connector cover and connect USB cable to the printer connector.

✓ NOTE

Only use cables included with the printer. (USB)

- 2 Connect the interface cable to the USB port of the device (PDA, PC, etc.).

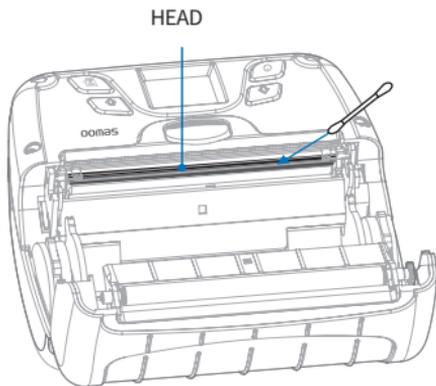
9. Cleaning the Printer

If the interior of the printer is dusty, printing quality can be reduced. In this case, follow the instructions below to clean the printer.

✓ NOTE

- 01 Make sure to turn the printer power off prior to cleaning.
 - 02 Regarding printhead cleaning, as the printhead gets very hot during printing, turn off the printer power and wait approximately 10 minutes before cleaning.
 - 03 When cleaning the printhead, take care not to touch the heated portion of the printhead. The printhead can be damaged by static electricity.
 - 04 Take care not to allow the printhead to become scratched and / or damaged in any way.
 - 05 When using a linerless paper, clean regularly at least once after using 4~5 rolls or a week (Cleaning cycle may vary depending on usage.)
- ※ Insufficient cleaning of the adhesive may cause feeding defects.
Please use it after re-cleaning in case of feeding defects

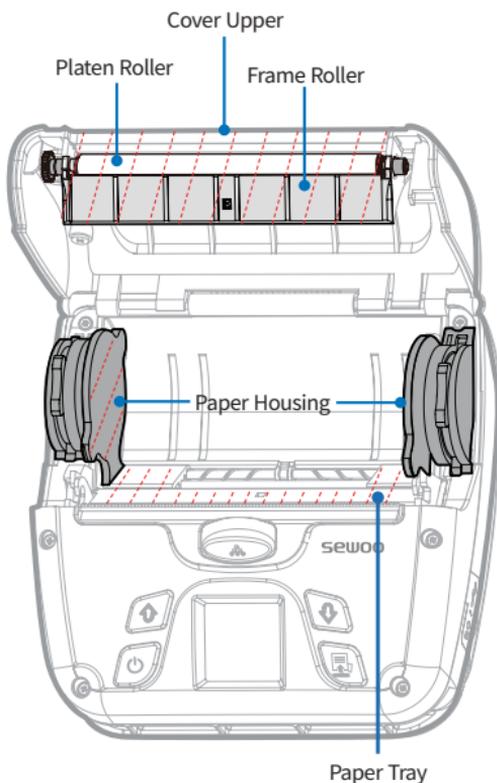
9-1. Print-Head Cleaning



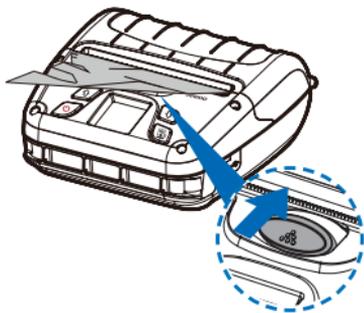
- 1 Use a cleaning pen or a cotton swab dampened with medical alcohol (90%) or a clean, lint-free cloth to wipe the 'HEAD' area.
(If you are using linerless, we do not recommend using a cleaning pen.)
- 2 Once the cleaning is completed, wait a few minutes before inserting the paper roll into the printer.

9-2. Platen Roller Cleaning

- 1 Use a cleaning pen, a cotton swab dipped in medical alcohol (90%), or a clean, lint-free cloth to clean the area shown in the figure below.
(If you are using linerless, we do not recommend using a cleaning pen.)
- 2 Turn the platen roller with your finger to clean the entire surface.
- 3 When using a linerless paper, wipe the surrounding parts that touch the surface of the paper.



10. JAM Error



When you face with a paper jam error, please press the button up to open the PRINTER COVER.



CAUTION

Make sure to be careful of the HOT head.



Please remove the paper.

1 2
3



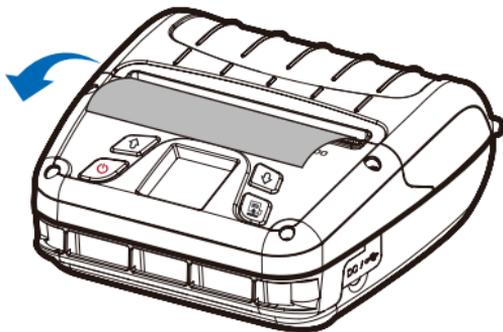
NOTE

Please make sure you hear the closing sound of the upper cover.



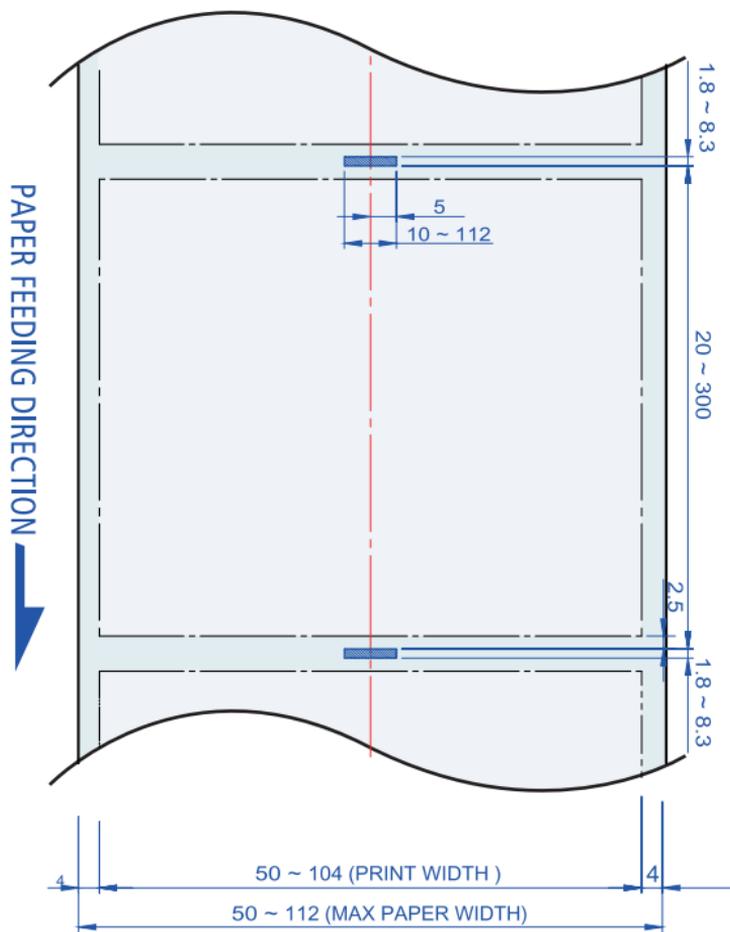
NOTE

If the cover is not shut down completely, the printer may not work properly.



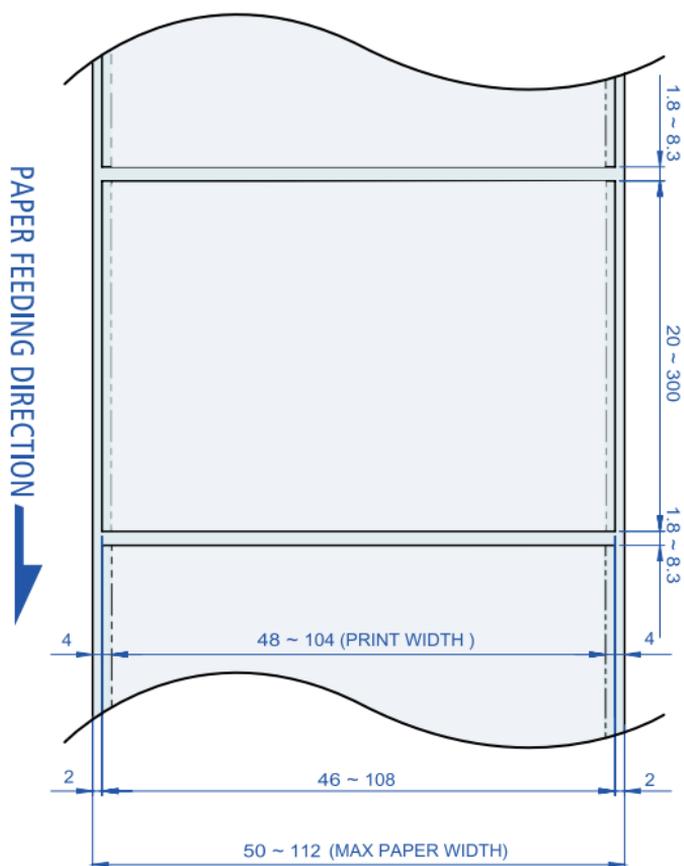
After removing, close the cover. The printer will work normally.

11. Black Mark



THICKNESS = 0.06 ~ 0.09mm

12. Gap



THICKNESS = 0.06 ~ 0.16mm

13. Printer Specification

Printing Method		Direct Thermal
Printing Speed		127 mm/s
Resolution		203 DPI
Character		Font A(12×24), Font B(9×17), Asian Font(KOR,JPN,CHN-GB2312,CHN-Big5), Font0/1/2/4/5/6/7, Resident TTF, Downloadable TTF, FontA~H, FontGS, Resident TTF(Font0), Font 1~8
Barcode	ESC/POS	-1D : EAN-8, EAN-13, Code39, ITF, UPC-A, UPC-E, Codabar, Code93, Code128 -2D : QR, PDF417
	CPCL	-1D : LUPC-A(+2,+5), UPC-E(+2,+5), EAN13(+2,+5), EAN8(+2,+5), Code39 etc. (CPCL) -2D : QR, PDF417, MicroPDF417, Maxicode, Datamatrix, Aztec, TLC39, RSS14
	ZPL	-1D : Code11, ITF, Code39, Planet, EAN-8, UPC-E, Code93, Code128 etc. (ZPLII) -2D : QR, PDF417, MicroPDF417, Maxicode, Datamatrix, Aztec, TLC39, RSS14
Emulation		ESC/POS, CPCL, ZPL Command compatible
Driver / SDK		Windows Driver(XP ~, Server2003 ~), Window CE & Mobile Driver & SDK (CE 4.2~, Mobile 5.0~), Linux Driver, Mac Driver, OPOS Driver, JavaPOS Driver, iOS SDK, Android(6.0 ~) SDK
Sensor		Black mark, Paper end, Gap, Cover open
Reliability	TPH	50km/10km(Linerless Paper)
Size(W x L x D)		155 x 157 x 67 mm
IP		IP54 certified

Paper	Type	Thermal Receipt/Label/Linerless(Max. X2)
	Width	50 ~ 112mm
	Thickness	0.06~0.16mm
	Roll Max Diameter	Max. Ø 57.5mm
	Roll Core	12.5mm ± 0.5mm
Interface	Standard	USB, Wi-Fi(802.11a/b/g/n/ac) + Bluetooth Smart Ready (Bluetooth4.2 + BLE + NFC Tag) Combo
	Option	-
Battery Charger	Input	AC 100 ~ 240V, 50/60Hz
	Output	8.4 V, 800 ~ 1400 mA
Battery	Type	Li-ion
	Output	7.2 V, 2500mAh / 5000mAh(Optional)
	Charging time	3.5Hrs Charging time (2500mAh) 5.5Hrs Charging time (5000mAh)
Drop		2m (set only)
Weight		0.84 kg (with 2500mAh Battery)
Temperature	Operation	-20 ~ 55°C
	Storage	-30 ~ 65°C
Humidity	Operation	10 ~ 90%
	Storage	10 ~ 90%

14. Utilities

The following utilities and concerned manual can be found on the QR or homepage.

No.	Name	Description
1	PrinterGear	<p>This is an integrated utility that you can manage your printer with below tasks.</p> <ul style="list-style-type: none">- Printer Configuration Settings- Wireless-Lan Settings- Font(Bitmap/TrueType) Download- Printing service- Document management- FW Download- Maintenance <p>※ Please refer to PrinterGear Manual for detailed information.</p>
2	LabelMaker(CPCL)	<p>This program is for label form design and designed label printing.</p>
3	Android Utility (Sewoo M_Utility) (ESC/POS)	<p>It is a utility app that prints text, barcodes, images, etc. through Bluetooth and Wi-Fi communication, and able to printer settings.</p>

15. S/W

We provides SDK, Driver, etc. as follows to respond to various S/W usage environments.

You can download this S/W from the homepage.

No	Name	Description
1	Windows Driver	This is an install program used to print a Mobile printer in Windows OS.
2	Linux Driver	This is the Cups Driver used to print a Mobile printer in the Linux environment.
3	OPOS Driver (ESC/POS)	This is a driver that controls Mobile printers using the OPOS standard. It can be used after initial setting(Mobile Printer&MSR) using the setting tool.
4	JavaPOS Driver (ESC/POS)	JavaPOS driver is an interface standard for POS software written in Java, and can be used in Mobile Printer when printing a receipt.
5	Mac Driver	This is the Cups Driver used to print a Mobile printer in the Mac OS environment.
6	Android Plugin (Sewoo Print Service Plugin) (ESC/POS)	This is a print service plug-in that allows you to print documents, images, and web pages without installing additional apps.
7	Windows SDK	This is library for communication and data output with Mobile printer in Windows OS.
8	Android SDK	This is library for communication and data output with Mobile printers in Android OS.
9	iOS SDK	This is library for communication and data output with Mobile printers in iOS.



QR Page