

# SEWOO

**Aroot Co., Ltd.**

28-6, Gajangsaneopdong-ro, Osan-si, Gyeonggi-do, 18103, Republic of Korea

TEL : +82-31-8077-5000 / FAX : +82-31-624-5310

<http://www.miniprinter.com>

# sewoo



## **MODEL : SLK-CB125 SERIES**

---

Mini Printer User's Manual

All specifications are subject to change without notice

**This device complies with part 15 of the FCC Rules.  
Operation is subject to the following two conditions.**

- 1) This device may not cause harmful interference, and
- 2) This device must accept any interference received, including interference that may cause undesired operation.

**Vic Barczyk**

19700 S Vermont Ave Ste 200 Torrance, CA 90502 | USA  
NA\_Sales@miniprinter.com

**Victor Almazan**

Paseo de la Reforma No. 265 Piso 2.Oficina SBC. Col.  
Cuauhtémoc, C.P. 06500 Ciudad de Mexico | Mexico  
LA\_Sales@miniprinter.com

## For USA

### Information to user;

**Caution:** The user that changes or modifications not expressly approved by the Aroot Co., Ltd., responsible for compliance could void the user's authority to operate the equipment.

**NOTE:** This equipment has been tested and found to comply with the limits for a Class B digital device, pursuant to part 15 of the FCC Rules. These limits are designed to provide reasonable protection against harmful interference in a residential installation. This equipment generates, uses and can radiate radio frequency energy and, if not installed and used in accordance with the instructions, may cause harmful interference to radio communications. However, there is no guarantee that interference will not occur in a particular installation. If this equipment does cause harmful interference to radio or television reception, which can be determined by turning the equipment off and on, the user is encouraged to try to correct the interference by one or more of the following measures:

- Reorient or relocate the receiving antenna.
- Increase the separation between the equipment and receiver.
- Connect the equipment into an outlet on a circuit different from that to which the receiver is connected.
- Consult the dealer or an experienced radio/TV technician for help.

### **CAUTION: Radio Frequency Radiation Exposure**

This equipment complies with FCC radiation exposure limits set forth for an uncontrolled environment and meets the FCC radio frequency RF Exposure Guidelines. This equipment should be installed and operated keeping the radiator at least 20cm or more away from person's body.

### Responsible Party;

**Company name :** Aroot USA

**Address :** 19700 S. VERMONT AVE. STE 200 TORRANCE, CA 90502

**Tel/FAX No :** +1-310-617-7401

**Homepage :** [miniprinter.com](http://miniprinter.com)

## For Canada

This class B digital apparatus complies with Canadian ICES-003  
Cet appareil numérique de la class B est conforme la norme NMB-003 du  
Canada

The antenna cannot be removed (and changed) by user.

### **NOTE**

This device contains licence-exempt transmitter(s)/receiver(s) that comply with Innovation, Science and Economic Development Canada's licence-exempt RSS(s). Operation is subject to the following two conditions: (1) This device may not cause interference. (2) This device must accept any interference, including interference that may cause undesired operation of the device.

### **CAUTION : Radio Frequency Radiation Exposure**

This equipment complies with IC radiation exposure limits set forth for an uncontrolled environment and meets RSS-102 of the IC radio frequency (RF) Exposure rules. This equipment should be installed and operated keeping the radiator at least 20cm or more away from person's body.

---

Use of the Made for Apple badge means that an accessory has been designed to connect specifically to the Apple product(s) identified in the badge, and has been certified by the developer to meet Apple performance standards.

Apple is not responsible for the operation of this device or its compliance with safety and regulatory standards.

---



**Disposal of Old Electrical&Electronic Equipment(Applicable in the European Union and other European countries with separate collection systems)**

This symbol on the product or on its packaging indicates that this product shall not be treated as household waste. Instead it shall be handed over to the applicable collection point for the recycling of electrical and electronics equipment. For more detailed information about recycling of this product, please contact your local city office, your household waste disposal service or the shop where you purchased the product.

# Table of Contents

<b>1. Printer Features</b>	<b>3</b>
1.1 Overview	3
1.2 Main feature	3
<b>2. Precautions</b>	<b>4</b>
<b>3. List of product packing</b>	<b>7</b>
<b>4. Product appearance</b>	<b>8</b>
<b>5. Button names, indicators and functions</b>	<b>9</b>
<b>6. Installation and use</b>	<b>10</b>
6.1 Connection of printer	10
6.2 Load paper	10
<b>7. Adjustment of paper width</b>	<b>11</b>
<b>8. Installation of printer driver</b>	<b>13</b>
<b>9. Cleaning of printer</b>	<b>18</b>
<b>10. Maintenance of cutter</b>	<b>19</b>
<b>11. Printer interface</b>	<b>20</b>
11.1 Power interface	20
11.2 Cash-box interface	20
11.3 USB interface	21
11.4 Serial interface	21
11.5 Ethernet interface	22
<b>12. Specifications</b>	<b>23</b>

# 1. Printer Features

## 1-1. Overview

---

This printer is a thermal receipt printer with automatic cut-off knife.

It has the high printing quality, high speed, high stability and the like, and can be widely applied to commercial POS systems, catering industries and other occasions requiring on-site real-time printing of receipts.

It can connect with other devices through Bluetooth, WiFi, serial, USB, and Ethernet interfaces, and is provided with driver programs for Windows XP/Windows 7/Windows 8/Windows 10/Windows 11/Linux, and other operating systems.

## 1-2. Main feature

---

- Automatic paper cutting.
- Low noise, high speed printing.
- It is designed with easy loading paper structure.
- Support for fixed USB port and USB virtual serial port function.
- Supports marking paper and continuous paper printing.
- Support voice broadcast function.
- Support replaying and queuing functions.
- Support print head over-temperature protection, anti-jam function.
- Support IAP online upgrade.
- Support QR Code, PDF417 format 2D barcode printing.



## 2. Precautions

For better safety and reliability, adhere to the following precautionary measures.

Read and follow the instructions carefully before operation of the product.

### Indication



Prohibition



Must follow



Do not disassemble



Unplug the power from the outlet



Grounding to prevent electric shock

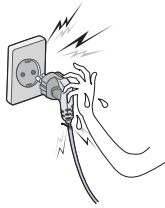


Do not handle the product with wet hands



### WARNING

Failure to follow these instructions could result in fire, electric shock, other injuries, or property damage.



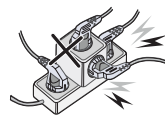
Do not pull or touch the power plug with wet hands.

Potential risk of electric shock or fire



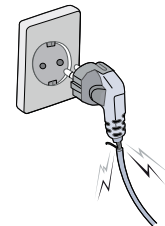
Do not bend the wire and do not allow the wire to be pinched or crushed by heavy objects.

Potential risk of electric shock or fire



Do not overload an electrical outlet.

Potential risk of electric shock or fire



If a power plug is broken or a plug is cut or worn, do not use it.

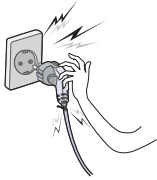
Potential risk of electric shock or fire





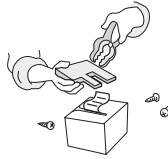
## WARNING

Failure to follow these instructions could result in fire, electric shock, other injuries, or property damage.



**Do not unplug the power cable to turn off the product.**

Turn off the power using the power button



**Do not disassemble, repair or modify the product.**

Potential risk of malfunction, electric shock, or fire. When the product needs to be repaired, please contact your reseller



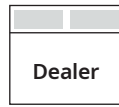
## CAUTION

Failure to follow these instructions could result in fire, electric shock, other injuries, or property damage.



**Do not install the product on an unstable or inclined surface.**

May cause damage or injury



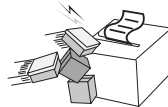
**If the product needs to be repaired, please contact your reseller.**

Potential risk of fire or unit malfunction



**Keep product away from the water and other material.**

Potential risk of fire or unit malfunction



**Avoid excessive shock or drops.**

Potential risk of fire or property damage



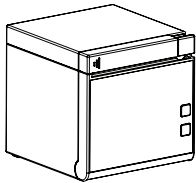
- 1** Install the printer on a stable and level surface and avoid excessive vibration and shock.
- 2** Do not use or store in places with excessively high temperature or humidity.
- 3** Connect the power adapter to a properly grounded outlet.  
Do not use the same outlet as an electric motor or other equipment that may cause voltage fluctuations.
- 4** Keep liquids and conductive materials out of the printer.  
If this happens, disconnect the AC power cord from the outlet.
- 5** Attempting to print without paper will damage the printer head and rollers.
- 6** Do not repair, disassemble, reassemble, or modify the printer without the manufacturer's instructions.
- 7** Always use the cables provided by the manufacturer.
- 8** High-quality paper is recommended for printer longevity and print quality.
- 9** Be sure to turn OFF the printer when connecting or disconnecting the power cord to an outlet.

### 3. List of product packing

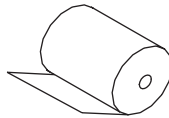
- Quick Guide manual ..... 1 Pc
- Printer body ..... 1 Pc
- Data cable (except network interface according to interface configuration) 1 Pc
- Power adapter (including power line)..... 1 Set
- Thermal paper ..... 1 Roll

Nota:

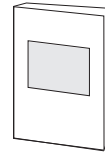
Included items are subject to change without notice.



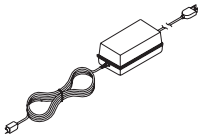
The Printer



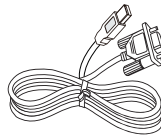
Thermal Paper



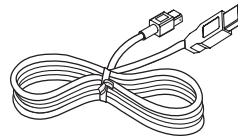
Quick Manual



Power Adapter and  
AC power cord

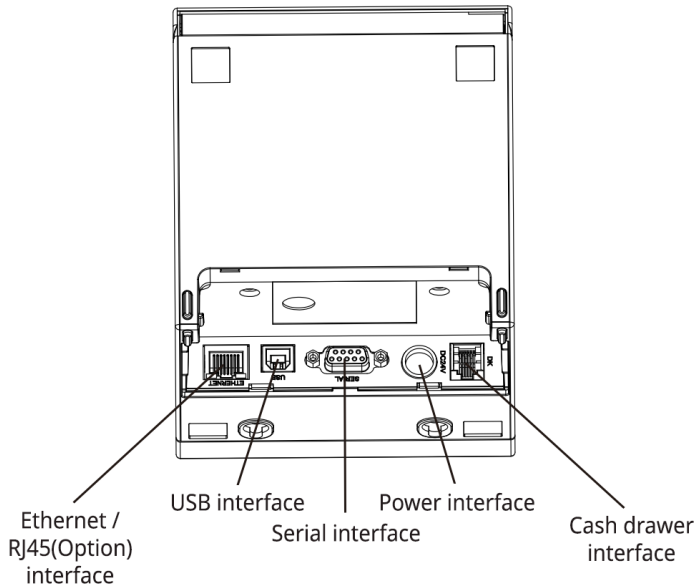
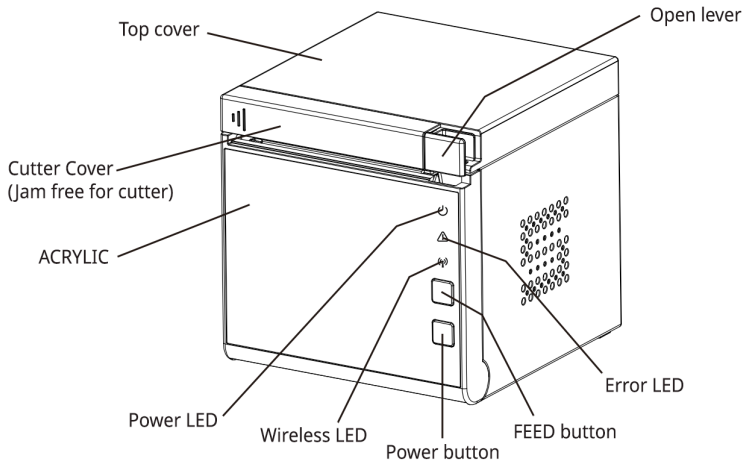


Serial data cable



USB data cable


## 4. Product appearance



## 5. Button names, indicators and functions

-  **Power LED**

When this light is on, it indicates that the printer power is on, and when it is off, it indicates that the printer power is off.

-  **Error LED**

When the printer has opened the cover, out of paper, cutter error, overheating of the print head and other errors, the light flashes.

-  **Wireless LED**

When Bluetooth / WIFI connection is successful, the signal light is always on.

-  **FEED Button**

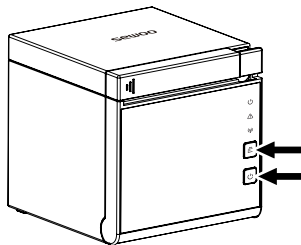
Press this button to feed paper

-  **Power Button**

Long press this button for 1-2 seconds to turn on / off

- **Self-check test**

The method of self-check is as follows



After connecting the printer, turn off its power supply, press and hold the "FEED" and meanwhile turn on the power supply.

- ab out 2~8 seconds, and the printer will show the current status and its settings.

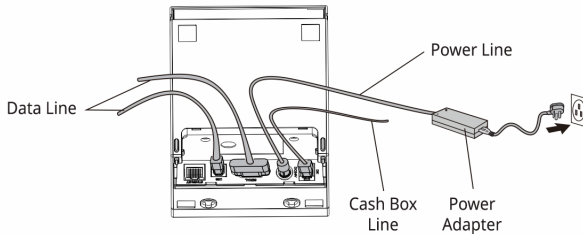
- **How to enter Hexadecimal method**

Run self-test first. Select "Enter hexadecimal mode" on config mode menu by feed button. Press feed button five times after config mode menu is printed.

# 6. Installation and use

## 6-1. Connection of printer

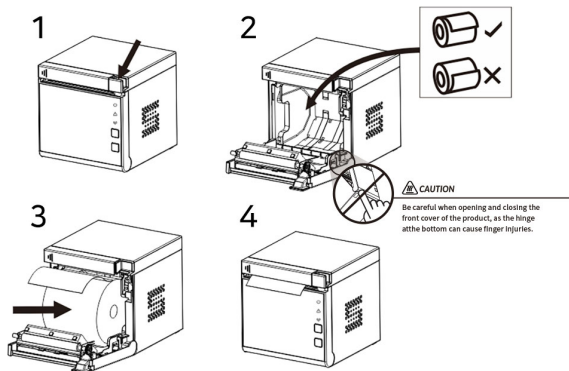
- A. Connect the adapter cable to printer's power interface.
- B. Connect the interface cable to the back interface of the printer.
- C. Connect the line of cashier box to the interface of cashier box behind the printer.



## 6-2. Load paper

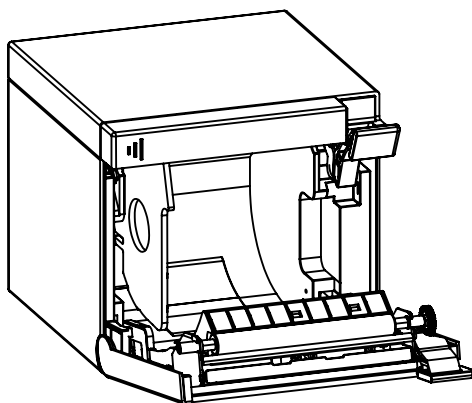
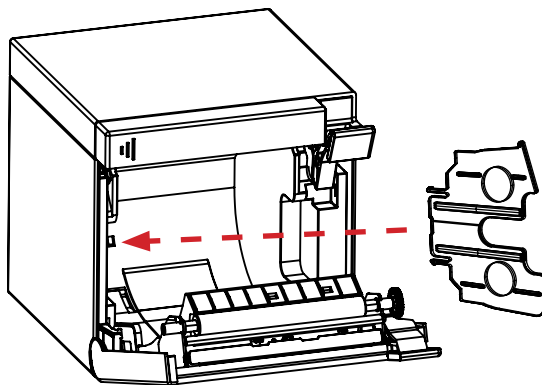
SLK-CB125 printer accepts thermal paper up to 82.5 mm wide and has an easy-to-load design. Follow these steps to install thermal paper

- 1. Open the front cover of the printer.
- 2. Load the thermal paper into the paper tray as shown in the following figure.
- 3. Pull a small piece of printing paper out the cover and close the front cover.
- 4. Tear off excess roll with the cutter.



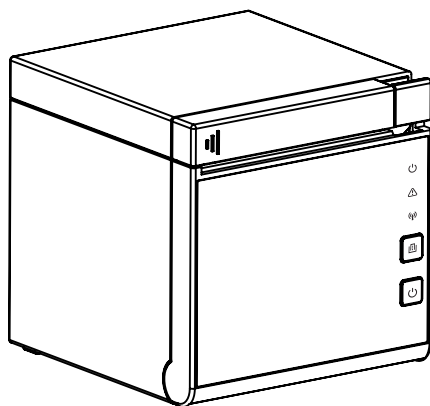
## 7. Adjustment of paper width

1. Please adjust the Paper Guide to fit to the paper width as the direction of arrow.





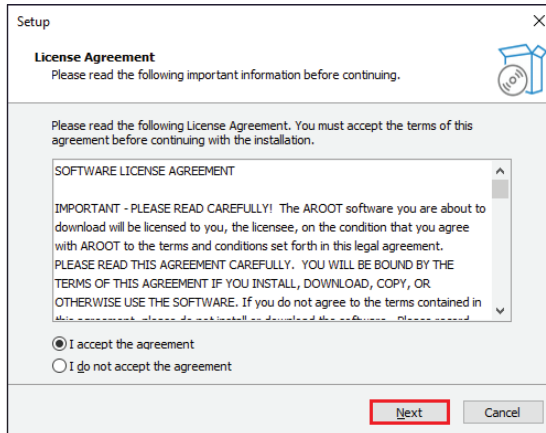
2. When the paper roll is installed correctly, close the front cover and use it.



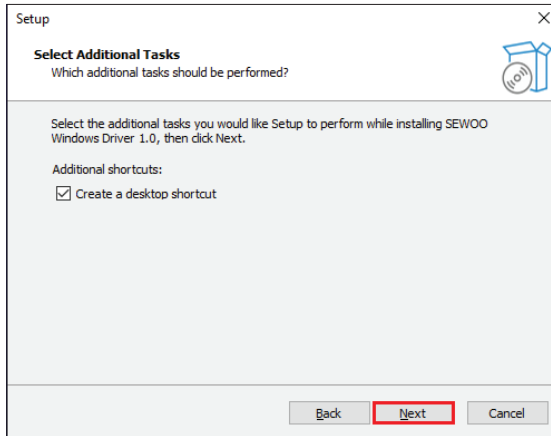
## 8. Driver of the printer

There are two ways to drive the thermal bill printer, one is to install the driver directly with WINDOWS, and the other is to use the port to drive directly.

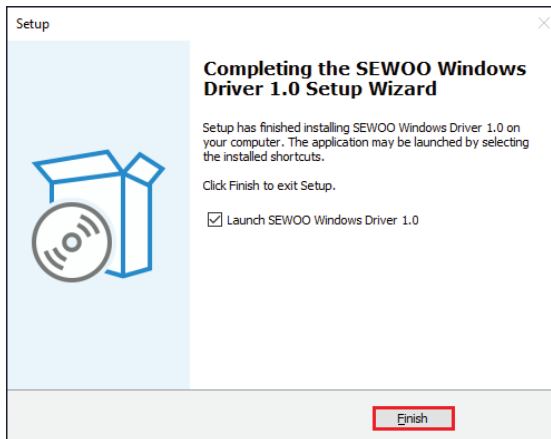
- 1 Double click "SEWOO Windows Driver.exe".
- 2 Select : I accept the agreement.



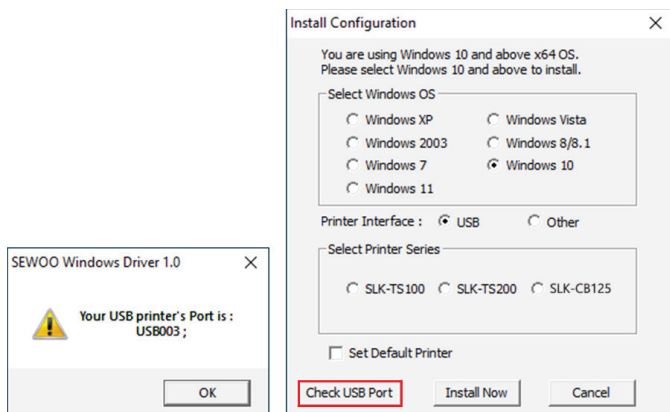
### 3 Create a shortcut on the desktop.



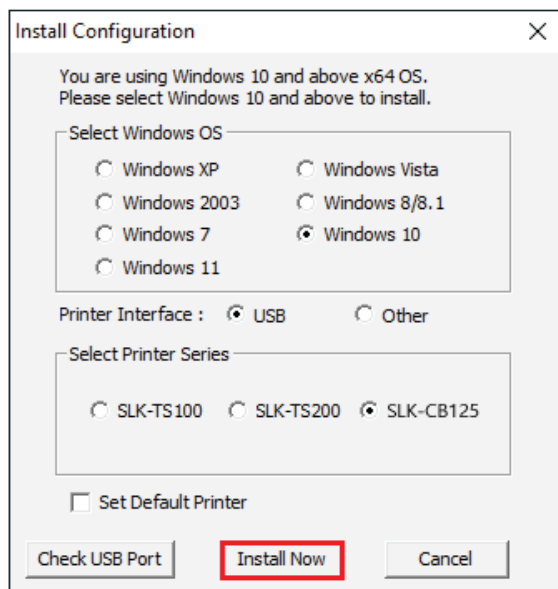
### 4 Setup Completed:



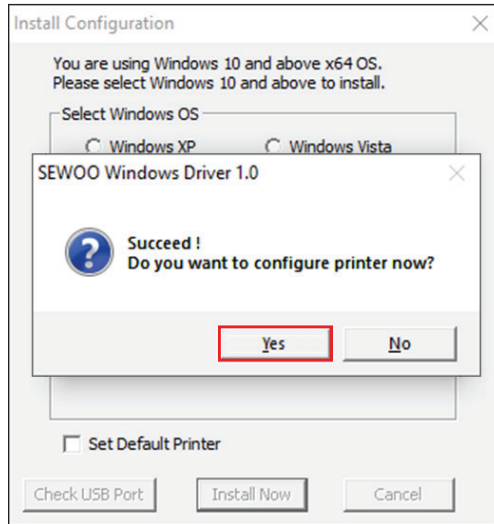
5 Select the correct interface port:



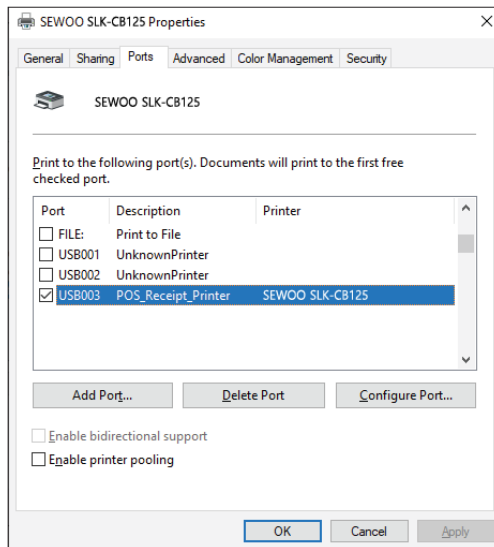
6 Select the proper printer series and click "Install Now".



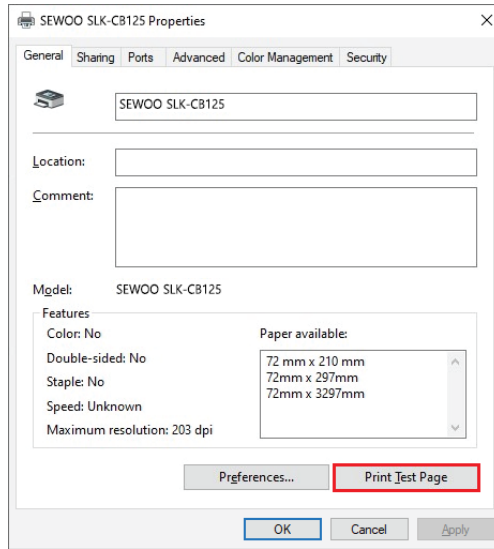
7 Click "Yes" to configure the port.



8 Choose the detected USB00X, click apply, shown as below:



9 Select the "General" tab and then "Print Test Page":



## 9. Cleaning of printer

The print head should be cleaned if the following conditions occur:

1. Print unclear
2. A certain vertical column of the printed page is not clear;
3. The paper feeding is noisy.

The cleaning steps of print head are as follows:

1. Turn off the power supply of the printer and open the upper cover. If there is paper, remove it;
2. If it has just finished printing, the print head should be waited to cool completely;
3. Dip soft cotton cloth in anhydrous ethanol (which should be wrung dry) to erase dust and stains on the surface of the thermal sheet of the print head;
4. After the complete volatilization of anhydrous ethanol, close the upper cover and start the machine again for printing.

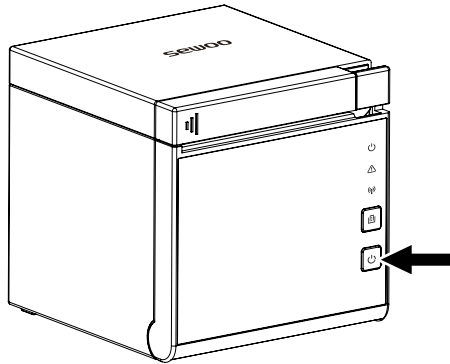
**Notes:**

1. The power supply must be turned off for the daily maintenance of the printer.
2. Do not touch the surface of the print head with your hands or metal objects, and do not scratch the print head, printing rubber roller and surface of sensor with tweezers and other tools.
3. Do not use organic solvents such as gasoline and acetone.
4. After the complete volatilization of anhydrous ethanol, turn on the power supply to continue printing.

# 10. Maintenance for cutter jam

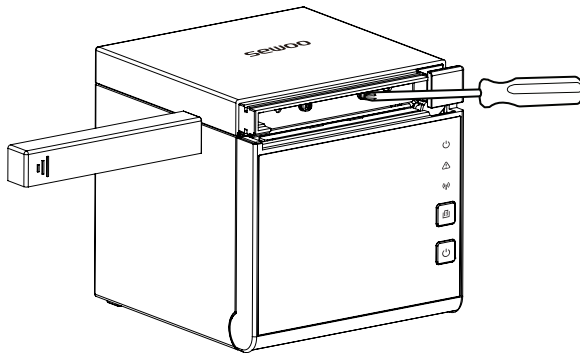
## Method (1)

Press the power switch button to turn off the power supply. Then, turn it back on to initialize the printer and return the cutter to its original position.



## Method (2)

Slide the cover cutter and pull the cover open lever to remove the jam. Cycle the power again to return the cutter to its home position.



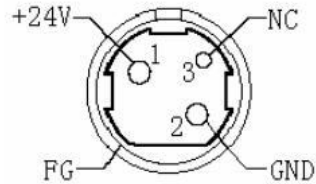
**Notes:** Do not force to pry the flap to avoid damaging the print head and the automatic paper cutter.



# 11. Printer interface

## 11.1. Power interface

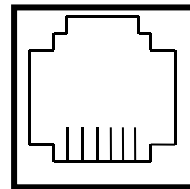
PIN	SIGNAL NAME
1	+24V
2	GND
3	N.C
SHELL	F.G



## 11.2. Cash-box interface

Cash-box control : 6-wire RJ-11 socket, output DC24V/1A power signal to drive the cash-box for action.

PIN	SIGNAL NAME
1	FGND
2	Drawer 1
3	SW
4	CASH
5	Drawer 2
6	GND

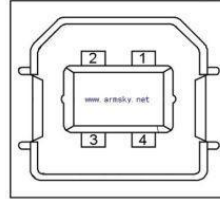


654321

### 11.3. USB interface

---

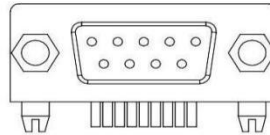
PIN	SIGNAL NAME
1	VBUS
2	D- (DATA-)
3	D+ (DATA+)
4	GND



### 11.4. Serial interface

---

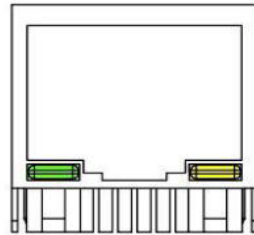
PIN	SIGNAL NAME
1	-
2	TXD
3	RXD
4	-
5	GND
6	DSR
7	-
8	CTS
9	-



## 11.5. Ethernet interface

---

PIN	SIGNAL NAME
1	TD+
2	TD-
3	RD+
4	TXC
5	RCT
6	RD-
7	-
8	-
9	GREEN+
10	GREEN-
11	YELLOW+
12	YELLOW-



## 12. Specifications

Printing Method		Direct Thermal
Printing Speed		250 mm/sec
Resolution		203 DPI
Dot Pitch		0.125mm x 0.125mm
Printing Width		80mm (640 Dots/Line)
Number of print columns	180dpi	Font A 46 columns / 42 columns / 30 columns Font B 62 columns / 59 columns / 40 columns
	203dpi	Font A 53 columns / 48 columns / 35 columns Font B 71 columns / 64 columns / 46 columns
Barcode	1D	EAN-8, EAN-13, Code 39, Code 93, Code 128, ITF, UPC-A, UPC-E, Codabar
	2D	PDF 417, QR code
Emulation		ESC / POS Command compatible
Driver		Windows Driver(XP ~, Server2003 ~), Linux Driver, Mac Driver, OPOS Driver, JavaPOS Driver Android SDK, iOS SDK, Windows SDK
Sensor		Paper end, Cover open, Paper low(only front)
Interface	Standard	1 : USB(B type)+Serial(RS-232C_9pin)+Ethernet Built-in 2 : USB(B type)+Serial(RS232C-9Pin)+RJ45(Serial)
	Option	Bluetooth Smart Ready(Bluetooth5.0+BLE) / WiFi(802.11 a/b/g/n ) / B/T, WF combo

Paper	Paper type	Thermal receipt paper
	Width	58mm, 80mm, 82.5mm
	Thickness	0.05 ~ 0.08mm
	Roll Max Diameter	Max. $\varnothing$ 83mm
	Roll Core	12.5mm $\pm$ 0.5mm
Cash drawer		2 circuits(24V, Max. 1A)
Reliability	MCBF	80 Million lines
	TPH Life	150Km
Auto Cutter	Type	Guillotine
	Life	2,000,000 cuts
	Paper Thickness	0.06 ~ 0.08mm
Power	AC	110 ~ 220Vac, 50/60Hz
	DC	24Vdc / 2.5A
Size	WXDXH(mm)	125 x 131.5 x 125
	WXDXH(inch)	4.92 x 5.17 x 4.92
Weight		0.90kg (TBD)
Temperature	Operation	0 ~ 45°C
	Storage	-10 ~ 60°C
Humidity	Operation	10 ~ 80%
	Storage	10 ~ 90%